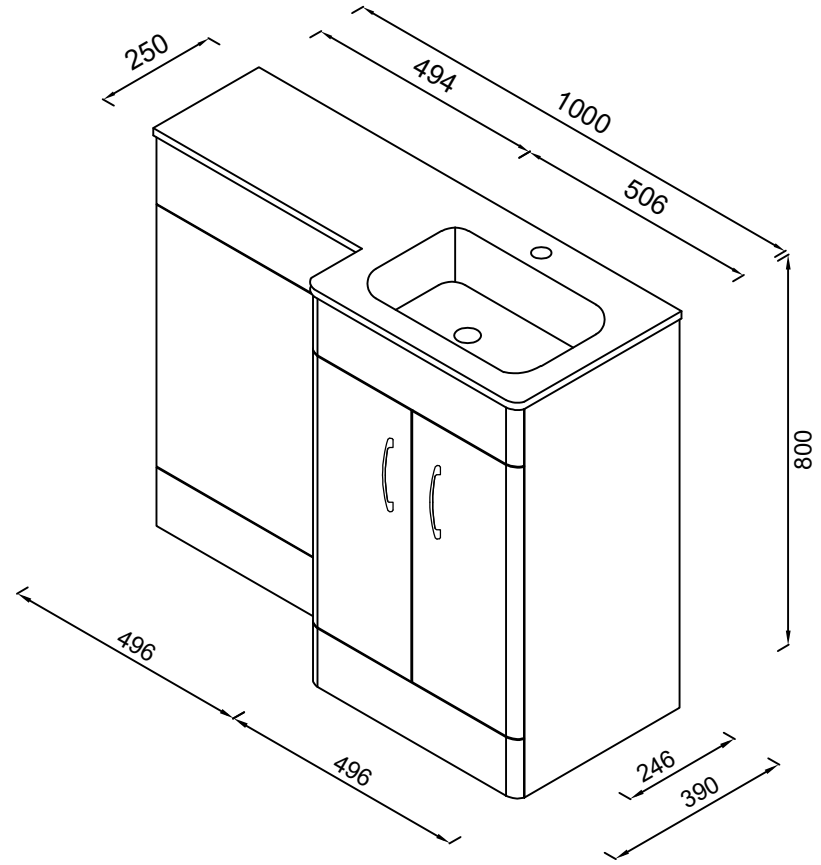
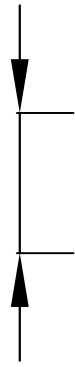


500+500(LH)



500+500(RH)

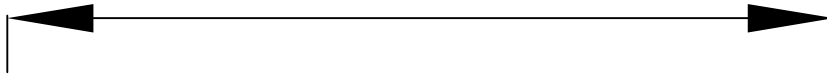
26



157



128



Handles

37.9001

37.9002